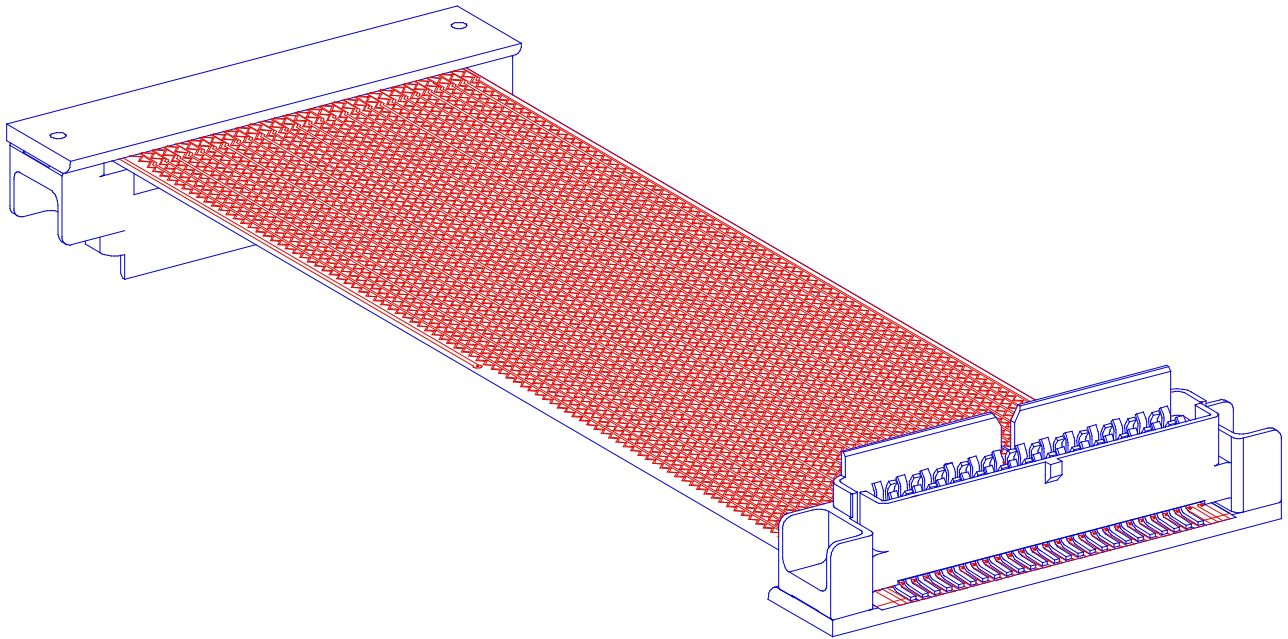


Hermi to Hermi FlexProbe

(Direct Connect or Extender)

TO EMULATOR / TESTER



TO FLEXPROBE (WHEN USED AS AN EXTENDER)
TO TARGET (WHEN USED AS A DIRECT CONNECT)

**ALP
TEX** Incorporated

P.O. Box 476
Orwell, Ohio 44076
(440)437-5570 • (440)437-5571 FAX
www.alptex.com